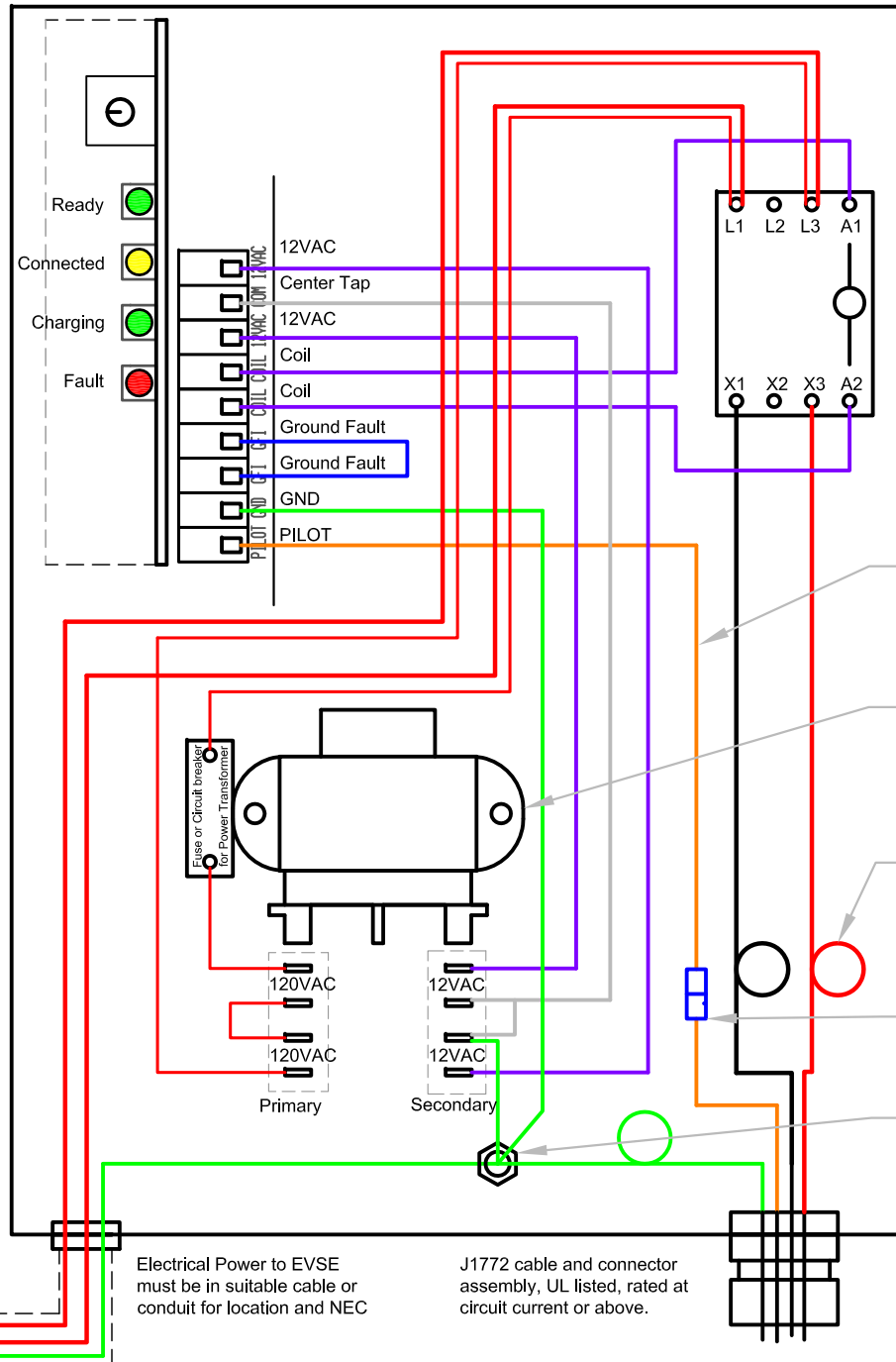
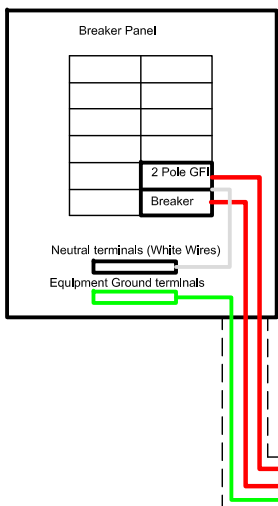


Switch Setting	Breaker Amps	Pilot Amps
1	15	11
2	20	15
3	30	23
4	40	31
5	50	39
6	60	47
7	70	55
8	80	63
9	90	71
0	100	79

- Wires
- RED 240VAC power
  - BLACK 240VAC power
  - GREEN Ground
  - BLUE Low voltage DC
  - PURPLE 24/12VAC (Hots)
  - GRAY 24V CT (Neutral)
  - ORANGE Pilot

Your Breaker panel. It must have space for a new 2 pole GFI breaker and your electrical service must have the capacity to handle the increased load

The 2 POLE GFI breaker has a white neutral connection that must be connected to the Neutral buss. Remember to mark the breakers function on the box.



Electrical Power to EVSE must be in suitable cable or conduit for location and NEC

J1772 cable and connector assembly, UL listed, rated at circuit current or above.

modularEVpower LLC™

Wiring - J1772 EVSE 4 Board

Rev 1.0 - 7/19/2012

Drawing: EVSE4\_Wiring 2 of 2

The Power Contactor(relay) will typically be a 3 pole device. Contacts must be rated at 240 volts or more. The contacts must be rated at the breaker current or more. The rating for resistive load may be used. The coil voltage must be 24VAC.

## J1772 EVCS4 Board

The EVSE needs to be located in a UL listed enclosure suitable for the area. We recommend a polycarbonate box with a clear cover NEMA 4X.

ITT cable Pilot Signal is an ORANGE  
Chinese cable Pilot Signal is a small RED wire marked CC  
Many Chinese cables have a second small wire marked CP (proximity) that is never used on the EVSE side.

Power transformer must be fused or have a circuit breaker for 1 Amp. All parts must be UL listed for this use. The power transformer is picked based on the power requirements of the Contactor coil plus 10 watts. Typically this will be a 25 VA transformer.

Power and ground wires need slack so they pull out in sequence. Power wires need about 6 inches of slack and the ground needs 12 inches.

The Pilot signal needs an Anderson or 1/4 inch quick disconnect in line to insure it breaks first if the cable is pulled out of the box. The pilot needs about 3 inches of slack on the wire.

A terminal stud for grounds is needed and if there is a metal panel on the box it must be grounded. Use Ring Lugs and Star washers. Obviously a metal box would need grounding also.

The Cable strain relief needs to be secure for everyday use but not so strong that the entire box is pulled away in case of an accidental drive away.  
A plastic box needs plastic strain relief.