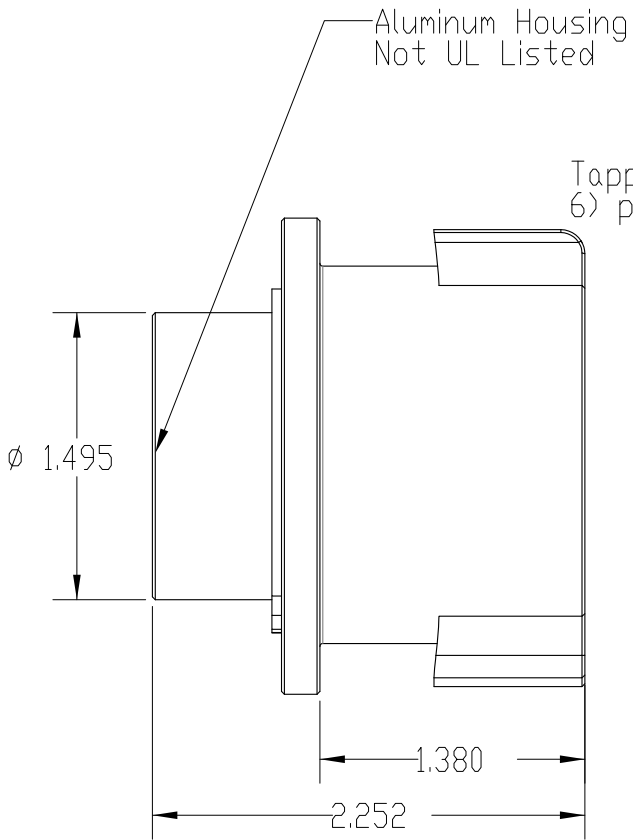
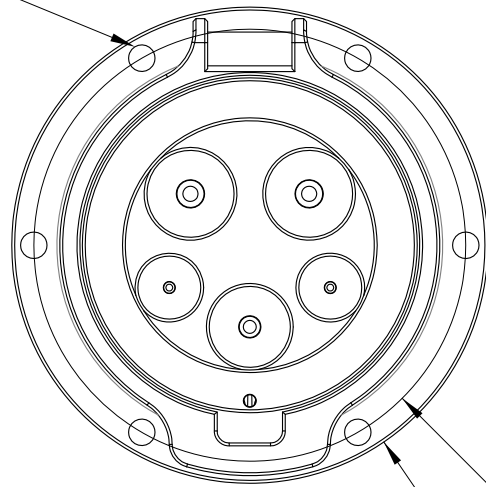


Aluminum Housing
Not UL Listed



Tapped 6-32
6) places



ϕ 2.250
Bolt Circle

ϕ 2.480

modularEVpower TM LLC	
Sketch - myJ1772 40Amp Inlet	
Rev 1.0 - 2/12/2012	
Drawing: myJ1772 Inlet	